

NUTORK[®]

Actuators & Valves



CE SIL3 Ex

双瓣式止回阀 Dual Plate Check Valve

无塞头式硬密封阀座
Retainerless Type Metal Seat

阀门口径 Valve Size:
DN40~DN1000 / 150LB
DN40~DN600 / 300LB
DN40~DN300 / 600LB ~ 2500LB

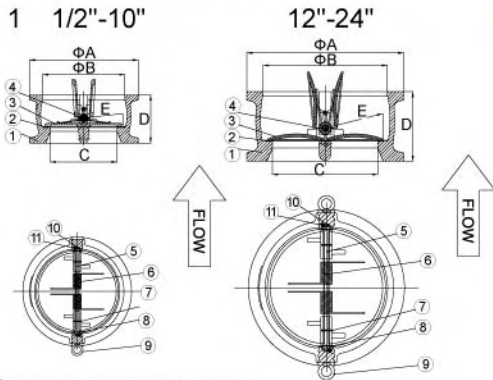


全衬软密封阀座
Full Liner Rubber Seat

阀门口径 Valve Size: DN40~DN2000 / 125~150LB

NUTORK CORPORATION

对夹式碳钢&不锈钢阀体无塞头硬密封双瓣式止回阀 WAFFER TYPE WCB & S.S. BODY DUAL PLATE CHECK VALVES WITH FULL LINER RUBBER SEAT



标准 STANDARD:

壁厚 WALL THICKNESS	API594
面间距 FACE TO FACE	
检测标准 INSPECTION STANDARD:API598	
适用法兰 Suit For:ASME B16.1 & MSS-SP44	

尺寸表 DIMENSION LIST:

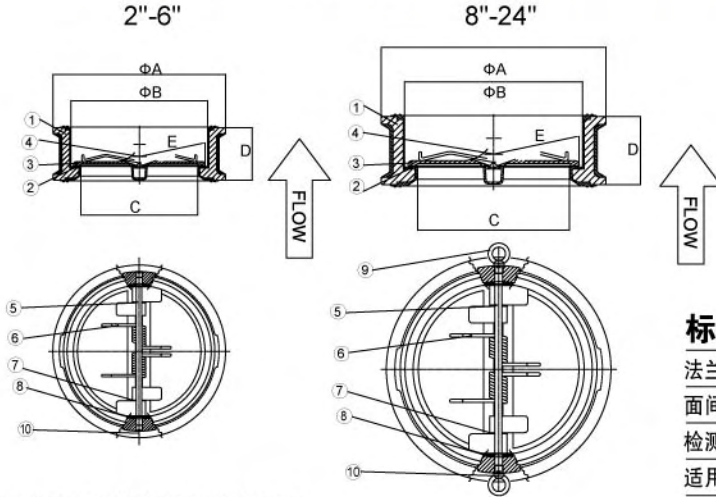
口径SIZE		ΦA						ΦB	C	D			E
IN	MM	150LB	300LB	K3	PN16	10K	16K			150LB/PN16 /10K	300LB/16K	K3	
1 1/2"	40A	86	95	86				60	47	60	43	30	
2"	50A	105	111	98	105	101		60	47	60	43	30	
2 1/2"	65A	124	130	110	124	121		73	58	67	46	36	
3"	80A	137	149	128	137	131	137	89	70	73	64	42	
4"	100A	175	181	156			162	114	89	73	64	53	
5"	125A	197	216	187			197	141	116	86	70	68.5	
6"	150A	222	251	213	217		228	168	136	98	76	79.5	
8"	200A	279	308	267			280	219	184	127	89	105	
10"	250A	340	362	328	330		337	274	230	146	114	130	
12"	300A	410	422	375			391	324	276	181	114	151.5	
14"	350A	451	486	448	438	420	447	356	300	184	222	169	
16"	400A	514	540	498	495	483	499	406	325	191	232	188	
18"	450A	549	597	562	545	538	572	457	395	203	264	152	218
20"	500A	606	654	619	617	592	612	508	435	219	292	152	243
24"	600A	718	775	727	731	695	716	610	530	222	318	178	290

零件&材质表 PART & MATERIAL LIST:

项次 ITEM	零件名称 PART NAME	材质 MATERIAL	描述 DESCRIPTION		数量 Q'TY	备注 REMARK
			目标JIS	美标ASTM		
1	阀体 BODY	碳钢CARBON STEEL	SCPH2	A216 WCB	1	
		不锈钢STAINLESS STEEL	SCS13	A351 CF8		
			SCS14	A351 CF8M		
2	阀座 SEAT	软密封 RUBBER	BUNA-N(NBR);EPDM;VITON		1	其他阀座可根据需要提供 THE OTHER OVERLAY MATERIAL ON SEAT ARE AVAILABLE UPON REQUEST
		硬密封 METAL	SAME AS BODY			
3	阀瓣 DISC	碳钢 CARBON STEEL	SCPH2	A216 WCB	2	
		不锈钢STAINLESS STEEL	SCS13	A351 CF8		
			SCS14	A351 CF8M		
		青铜BRONZE	ALBC3	ASTM B148		
4	阀杆 STEM	不锈钢STAINLESS STEEL	SUS304	A812 F304	1	
5	停止杆STOP STEM	不锈钢 STAINLESS STEEL	SUS304	A182 F304	1	
6	弹簧SPRING	不锈钢 STAINLESS STEEL	INCONEL X750		1	1-1/2"-6"
					2	8"-20"
					4	24"及以上口径24" and Large Size
7	阀瓣垫片 PLATE BEARING	不锈钢 STAINLESS STEEL	316 / PTFE		2	
8	阀体垫片 BODY BEARING	TEFLON			2	8"及以上口径 8" and Large Size
9	吊环EYE BOLT	合金钢ALLOY STEELS	S25C	A105	1	6"-20"
					2	24"及以上口径24" and Large Size
10	固定螺丝 RETAINING SCREW	不锈钢STAINLESS STEEL	SUS316	316	2	
					2	
11	滑块 CARRIER	碳钢CARBON STEEL	SCPH2	A216 WCB	2	碳钢阀体FOR WCB BODY 不锈钢阀体FOR CF8 & CF8M BODY
		不锈钢STAINLESS STEEL	SCS14	A351 CF8M		

备注: 其他阀体&阀瓣材质以及口径可根据需要提供。
Remark: The other materials of body & plate and sizes are available upon request.

对夹式碳钢&不锈钢阀体全包软密封双瓣式止回阀 WAFFER TYPE WCB & S.S. BODY DUAL PLATE CHECK VALVES WITH FULL LINER RUBBER SEAT



标准 STANDARD:

法兰标准 FLANGED STANDARD	ASME - B16.34
面间距 FACE TO FACE	EN 558-1:1995
检测标准 INSPECTION STANDARD	API- 598
适用法兰 Sult For	ASME B16.1 & MSS-SP44

尺寸表 DIMENSION LIST:

口径 SIZE		ΦA						ΦB	C	D	E	
IN	MM	10K	16K	20K	125/150LB	PN10/PN16	PN25/PN40					
2"	50A	101			105			72	45	54	32	
2 1/2"	65A	121			124			80	50	54	35	
3"	80A	131	137					91	67	57	43	
4"	100A	156	162		175	164	170	119	90	64	53	
5"	125A	187	197			194	196	141	112	70	65	
6"	150A	217	235		222	220	226	171	137	76	80	
8"	200A	267	279			275	-	226	188	95	108	
10"	250A	330	353		340	331	345	355	281	240	108	132
12"	300A	375	403		410	386	403	420	327	282	143	154
14"	350A	420	447		451	438	-	-	362	310	184	170
16"	400A	483	507		511	491	-	-	420	360	191	200
18"	450A	538	572		549	541	558	-	462	406	203	206
20"	500A	592	627		606	596	620	-	512	457	213	242
24"	600A	697	731		718	698	737	-	612	534	222	290

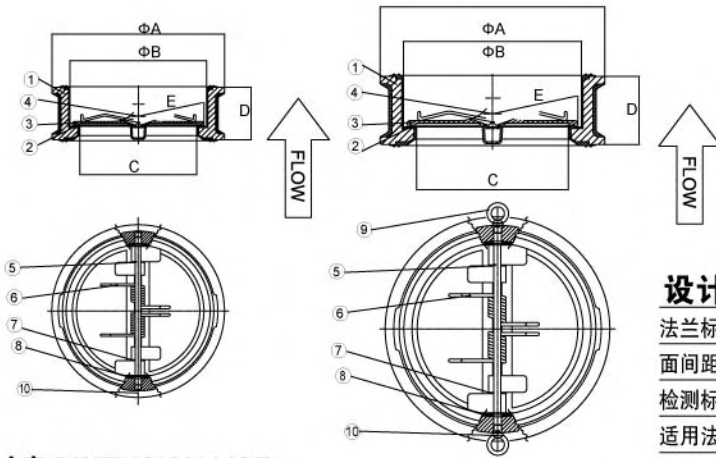
零件&材质表 PART & MATERIAL LIST:

项次 ITEM	零件名称 PART NAME	材质 MATERIAL	描述 DESCRIPTION		数量 Q'TY	备注 REMARK
			日标 JIS	美标 ASTM		
1	阀体 BODY	不锈钢 STAINLESS STEEL	SCS13	A351 CF8	1	
			SCS14	A351 CF8M		
		碳钢 CARBON STEEL	SCPH2	A216 WCB		
2	阀座 SEAT	软密封 RUBBER	BUNA-N(NBR), EPDM, VITON		1	
3	阀瓣 PLATE	不锈钢 STAINLESS STEEL	SCS13	A351 CF8	2	其他阀座可根据需要提供。 THE OTHER MATERIALS ARE AVAILABLE UPON REQUEST
			SCS14	A351 CF8M		
4	阀杆 STEM	不锈钢 STAINLESS STEEL	SUS304	A182 F304	1	
5	停止杆 STOP STEM	不锈钢 STAINLESS STEEL	SUS304	A182 F304	1	
6	弹簧 SPRING	不锈钢 STAINLESS STEEL	INCONEL X750		1	2"-6"
					2	8"-20"
					4	24"及以上口径 24" and Large Size
7	阀瓣垫片 PLATE BEARING	TEFLON	PTFE		2	
8	阀体垫片 BODY BEARING				2	
9	吊环 EYE BOLT	合金钢 ALLOY STEEL	S25C	A105	1	6"-20"
					2	24"及以上口径 24" and Large Size
10	塞头 RETAINER SCREW	合金钢 ALLOY STEEL	S25C	A105	2	

备注: 其他阀体&阀瓣材质以及口径可根据需要提供。

Remark: The other materials of body & plate and sizes are available upon request.

对夹式铸铁&球铁阀体全包软密封双瓣式止回阀 WAFFER TYPE C.I. & D.I. BODY DUAL PLATE CHECK VALVES WITH FULL LINER RUBBER SEAT 2"-6" 8"-24"



设计规范 DESIGN DESCRIPTION:

法兰标准 FLANGED STANDARD	ASME - B16.34
面间距 FACE TO FACE	EN 558-1:1995
检测标准 INSPECTION STANDARD	API - 598
适用法兰 Sult For	ASME B16.1 & MSS-SP44

尺寸表 DIMENSION LIST:

口径SIZE		ΦA						ΦB	C	D	E
IN	MM	10K	16K	20K	125/150LB	PN10/PN16	PN25/PN40				
2"	50A	101			105			72	45	54	32
2 1/2"	65A	121			124			80	50	54	35
3"	80A	131	137					91	67	57	43
4"	100A	156	162	175	164	170	119	90	64	53	
5"	125A	187	197		194	196	141	112	70	65	
6"	150A	217	235	222	220	226	171	137	76	80	
8"	200A	267	279		275	-	-	226	188	95	108
10"	250A	330	353	340	331	345	355	281	240	108	132
12"	300A	375	403	410	386	403	420	327	282	143	154
14"	350A	420	447	451	438	-	-	362	310	184	170
16"	400A	483	507	511	491	-	-	420	360	191	200
18"	450A	538	572	549	541	558	-	462	406	203	206
20"	500A	592	627	606	596	620	-	512	457	213	242
24"	600A	697	731	718	698	737	-	612	534	222	290

零件&材质表 PART & MATERIAL LIST:

项次 ITEM	零件名称 PART NAME	材质 MATERIAL	描述DESCRIPTION		数量 QTY	备注 REMARK
			目标 JIS	美标ASTM		
1	阀体 BODY	铸铁 CAST IRON	FC200	A126-CLASS-B	1	
		球铁 DUCTILE IRON	FCD450	A536-65-45-12		
2	阀座 SEAT	软密封 RUBBER	BUNA-N(NBR), EPDM, VITON		1	
3	阀瓣 PLATE	不锈钢 STAINLESS STEEL	SCS13	A351 CF8	2	其他阀座可根据需要提供。 THE OTHER MATERIALS ARE AVAILABLE UPON REQUEST
			SCS14	A351 CF8M		
4	阀杆 STEM	不锈钢 STAINLESS STEEL	SUS304	A182 F304	1	
5	停止杆 STOP STEM	不锈钢 STAINLESS STEEL	SUS304	A182 F304	1	
6	弹簧 SPRING	不锈钢 STAINLESS STEEL	INCONEL X750		1	2"-6"
					2	8"-20"
					4	24"及以上口径24" and Large Size
7	阀瓣垫片 PLATE BEARING	TEFLON	PTFE		2	
8	阀体垫片 BODY BEARING				2	
9	吊环 EYE BOLT	合金钢 ALLOY STEEL	S25C	A105	1	6"-20"
					2	24"及以上口径24" and Large Size
10	塞头 RETAINER SCREW	合金钢 ALLOY STEEL	S25C	A105	4	

备注: 其他阀体&阀瓣材质以及口径可根据需要提供。
Remark: The other materials of body & plate and sizes are available upon request.

最小开启压力Cracking Pressure:

阀门口径 Valve Size	S.I. System (Mpa)	Metric System (Kg/cm ²)
1.5" & 2"	6.286x10 ⁻³	61.60x10 ⁻³
2.5"	5.319x10 ⁻³	52.42x10 ⁻³
3"	6.122x10 ⁻³	60.00x10 ⁻³
4"	3.204x10 ⁻³	31.40x10 ⁻³
5"	2.617x10 ⁻³	25.60x10 ⁻³
6"	1.628x10 ⁻³	15.95x10 ⁻³
8"	2.470x10 ⁻³	24.21x10 ⁻³
10"	1.656x10 ⁻³	16.23x10 ⁻³
12"	2.206x10 ⁻³	21.62x10 ⁻³
14"	1.423x10 ⁻³	13.95x10 ⁻³
16"	1.094x10 ⁻³	10.72x10 ⁻³
18"	0.690x10 ⁻³	6.76x10 ⁻³
20"	0.846x10 ⁻³	8.29x10 ⁻³
22"	0.754x10 ⁻³	7.39x10 ⁻³
24"	0.664x10 ⁻³	6.51x10 ⁻³
26"	0.809x10 ⁻³	7.93x10 ⁻³
28"	0.668x10 ⁻³	6.55x10 ⁻³
30"	0.571x10 ⁻³	5.60x10 ⁻³
32"	0.797x10 ⁻³	7.81x10 ⁻³
36"	0.619x10 ⁻³	6.07x10 ⁻³
40"	0.707x10 ⁻³	6.93x10 ⁻³
42"	0.750x10 ⁻³	7.35x10 ⁻³
44"	0.796x10 ⁻³	7.80x10 ⁻³
48"	0.610x10 ⁻³	5.98x10 ⁻³
54"	0.617x10 ⁻³	6.05x10 ⁻³
60"	0.596x10 ⁻³	5.84x10 ⁻³

双瓣式止回阀产品范围 The product range of dual plate check valve

阀门口径 Valve Size	阀体材质和压力等级 Fully Lined Rubber Seat						无塞头硬密封 Retainerless Type Metal Seat						
	全衬软密封 Fully Lined Rubber Seat		无塞头硬密封 Retainerless Type Metal Seat		无塞头硬密封 Retainerless Type Metal Seat		无塞头硬密封 Retainerless Type Metal Seat		无塞头硬密封 Retainerless Type Metal Seat		无塞头硬密封 Retainerless Type Metal Seat		
	CI-125#	DI-150#	WCB(304,316)-150#	WCB(304,316)-300#	WCB(304,316)-600#	WCB(304,316)-900#	WCB(304,316)-1500#	WCB(304,316)-2500#	WCB(304,316)-1500#	WCB(304,316)-900#	WCB(304,316)-600#	WCB(304,316)-300#	WCB(304,316)-150#
1.5"(DN40)	◎	◎	◎	◎	◎	◎	◎	◎	◎	◎	◎	◎	◎
2"(DN50)	◎	◎	◎	◎	◎	◎	◎	◎	◎	◎	◎	◎	◎
2.5"(DN65)	◎	◎	◎	◎	◎	◎	◎	◎	◎	◎	◎	◎	◎
3"(DN80)	◎	◎	◎	◎	◎	◎	◎	◎	◎	◎	◎	◎	◎
4"(DN100)	◎	◎	◎	◎	◎	◎	◎	◎	◎	◎	◎	◎	◎
5"(DN125)	◎	◎	◎	◎	◎	◎	◎	◎	◎	◎	◎	◎	◎
6"(DN150)	◎	◎	◎	◎	◎	◎	◎	◎	◎	◎	◎	◎	◎
8"(DN200)	◎	◎	◎	◎	◎	◎	◎	◎	◎	◎	◎	◎	◎
10"(DN250)	◎	◎	◎	◎	◎	◎	◎	◎	◎	◎	◎	◎	◎
12"(DN300)	◎	◎	◎	◎	◎	◎	◎	◎	◎	◎	◎	◎	◎
14"(DN350)	◎	◎	◎	◎	◎	◎	◎	◎	◎	◎	◎	◎	◎
16"(DN400)	◎	◎	◎	◎	◎	◎	◎	◎	◎	◎	◎	◎	◎
18"(DN450)	◎	◎	◎	◎	◎	◎	◎	◎	◎	◎	◎	◎	◎
20"(DN500)	◎	◎	◎	◎	◎	◎	◎	◎	◎	◎	◎	◎	◎
24"(DN600)	◎	◎	◎	◎	◎	◎	◎	◎	◎	◎	◎	◎	◎
26"(DN650)	◎	◎	◎	◎	◎	◎	◎	◎	◎	◎	◎	◎	◎
28"(DN700)	◎	◎	◎	◎	◎	◎	◎	◎	◎	◎	◎	◎	◎
30"(DN750)	◎	◎	◎	◎	◎	◎	◎	◎	◎	◎	◎	◎	◎
32"(DN800)	◎	◎	◎	◎	◎	◎	◎	◎	◎	◎	◎	◎	◎
36"(DN900)	◎	◎	◎	◎	◎	◎	◎	◎	◎	◎	◎	◎	◎
40"(DN1000)	◎	◎	◎	◎	◎	◎	◎	◎	◎	◎	◎	◎	◎
48"(DN1200)	◎	◎	◎	◎	◎	◎	◎	◎	◎	◎	◎	◎	◎
54"(DN1350)	◎	◎	◎	◎	◎	◎	◎	◎	◎	◎	◎	◎	◎
60"(DN1500)	◎	◎	◎	◎	◎	◎	◎	◎	◎	◎	◎	◎	◎
64"(DN1600)	◎	◎	◎	◎	◎	◎	◎	◎	◎	◎	◎	◎	◎
72"(DN1800)	◎	◎	◎	◎	◎	◎	◎	◎	◎	◎	◎	◎	◎

备注: 1. 阀瓣材质: 以上口径和压力等级都有WCB, SS304, SS316, AL-BC3(铝青铜)。

The disc material: WCB, 304SS, 316SS, AL-BC3(Aluminum Bronze) is available for above valve size and pressure rating.

2. 以上口径和压力等级的阀门都有NBR, EPDM, VITON和硬密封阀座。

The NBR, EPDM, VITON and metal seat is available for above valve size and pressure rating.

全衬软密封&无塞头硬密封双瓣式止回阀 Full Rubber Liner & Retainerless Type Metal Seat Dual Plate Check Valve



订购选型 Order Information of Dual Plate Check Valve

阀体类型 Valve Type	--	100	---	A1	---	F2	---	W1	---	O	---	W1	---	O	---	S5
产品代码 Product Code	--	口径 Size	---	压力等级 Pressure Rating	---	连接方式 End Conn.	---	阀体 Body	---	阀体阀座 Body Seat	---	阀瓣 Plate	---	阀瓣阀座 Plate Seat	---	弹簧 Spring

阀门类型 (对夹/多耳/法兰) *Valve Type(Wafer/Lug/Flanged End)

代码Code	阀门类型 (对夹) Valve Type(Wafer Type)	代码Code	阀门类型 (对夹) Valve Type(Wafer Type)
DDCV-S	全衬软密封阀座 Full Liner Rubber Seat	DDCV-M	无塞头式硬密封Metal Seat Retainerless Type
Code	阀门类型 (多耳) Valve Type(Lug Type)	Code	阀门类型 (法兰) Valve Type(Flanged Type)
DDCV-L	无塞头式硬密封 Metal Seat Retainerless Type	DDCV-F	无塞头式硬密封Metal Seat Retainerless Type

压力等级*Pressure Rating

标准Standard	FIG.	0	1	2	3	4	5	6	7	8	9
ASME	A	125LB	150LB	250LB	300LB	400LB	600LB	900LB	1500LB	2500LB	----
ISO	D	PN6	PN10	PN16	PN25	PN40	PN50	PN110	PN150	PN260	PN420
JIS	J	5K	7.5K	10K	16K	20K	30K	40K	63K	----	----
API	P	----	150LB	300LB	----	----	2000LB	3000LB	5000LB	----	----
BS/Table	T	----	A	D	E	F	----	----	----	----	----

阀体/阀瓣材质*Body / Plate Material

FIG	C	D	W1	W2	L1	L2	L3	L4	I	J	S1	S1
美标ASTM	A126 Class B	A536 65-45-12	A216 WCB	A217 WC6	A352 LCB	A352 LCC	A352 LC1	A350 LF2	A217 C5	A217 C12	A743 CA6NM	A743 CA-15
日标JIS	G5501 FC250	G5502 FCD450	G5501 FC250	G5151 SCPH21	G5152 SCPL1	----	G5152 SCPL11	----	G5151 SCPH61	----	----	G5121 SCS1
德标DIN	EN1561 EN-GJL250	EN1563 EN-GJS450-10	EN1561 EN-GJL250	EN10213-2 G17CrMo5-5	----	----	----	----	----	----	----	EN10213-4 GX12 Cr12
FIG	S3	S4	S5	S6	S7	S8	G	H	T	B1	B2	XX
美标ASTM	A351 CN7M	A351 CF8	A351 CF8M	A351 CF3M	A351 CG8M	A351 CF8C	A182 S31803	B649 N08904	B348 Gr.2	B584 C83600	B148 C95800	其他Other
日标JIS	G5121 SCS23	G5121 SCS13A	G5121 SCS14A	G5121 SCS16A	----	G5121 SCS21	G4304 SUS329J3L	G4304 SUS890L	H4650 TB340	H5120 CAC406	H5120 CAC703	其他Other
德标DIN	----	EN10213-4 GX5CrNi19-10	EN10213-4 GX5CrNiMo19-11-2	----	----	EN10213-4 GX5CrNiNb19-11	----	----	17862 3.7035	1705 CuSn5ZnPb	1714 CuAl10Ni	其他Other

阀体/阀瓣/阀座材质*Body / Plate Seat Material:

FIG	N	E	K	Z	U	V	O	S2	S4	S5	M	P	X
材质Material	NBR (Buna-N)	EPDM (EPT)	Neoprene (C.R.)	Silicone	Butyl	Viton (FPM)	Metal	13% Cr Overlay	SUS304 Overlay	SUS316 Overlay	Monel Overlay	6# Stellite Overlay	其他Other
温度 Temp. Range (°C)	0 to 80	-20 to 120	-30 to 120	-30 to 80	-30 to 150	-30 to 200	同阀体&阀瓣一样 same as body & plate	-25 to 530	-260 to 810	-260 to 810	-198 to 482	-260 to 810	其他Other

连接面 *End Connection

FIG.	连接面类型 Type of Contact Face	
F1	平面 Plate Face	F.F.(63 AARH)
F2	凸面 Raised Face	R.F.(125-250 AARH)
F3	凹面 Ring Type Joint	----

弹簧材质*Spring Material

FIG	S5	M	Q	X
Material 材质	SUS316 WPA	Monel K-500	Inconel X-750	其他Other

肇恩工业设备
(上海)有限公司

上海市青浦区诸光路899弄10号

Tel: 021-59887103 / 59888463 / 59888436

Fax: 021-59887203

Email: nutork@nutork.com

Website: www.nutork.com